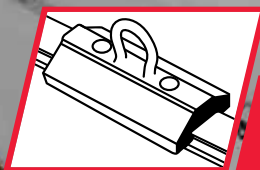




**Improving safety while working at height**





# ACCESS RAIL

Improving safety while working at height

## Work at height with freedom of movement

Access Rail is designed for use as an adjustable anchorage point for rope access and fall arrest. It provides the operator freedom of vertical and horizontal movement at height and also the ability to lock into position while working.



### Design

Lightweight trolleys are constructed of strong, one-piece solid aluminum. The adjustable pinstop allows trolleys to be moved along the rail and locked into a new location.



### Durability

Trolleys and rails are available in black hardcoat or clear-anodized finishes for maximum corrosion protection.



### Low maintenance ball bearings

Torlon® ball bearings handle high loads, reducing friction so the trolley moves smoothly along the rail. Retaining clips keep ball bearings captive when the trolleys are removed for maintenance.



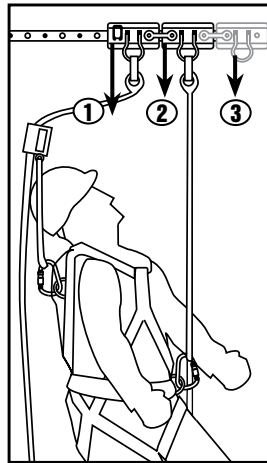
## CE Certified

The Harken Industrial™ 27 mm Access Rail system can be used for human suspension. The rails are independently tested, CE compliant under EN795.2012 Type D. The trolleys are independently tested, CE certified under EN795.2012 Type B.



### Style

The Access Rail system can be mounted in 3 horizontal planes. A wheel toggle attachment can be used for discrete over-edge parapet and inclined surface installations.



**⚠ WARNING!** Avoid personal injury. The Access Rail System must be used with a full body safety harness and/or working harness or chair that meets CE/ANSI EN813 and OSHA support standards.

#### ① Backup trolley

Use a full-body safety harness attached by lanyard or rope to access trolley with *pinstop*. Full-body safety harness must meet CE/ANSI and OSHA support standards.

#### ② Main trolley

Use a working harness or chair attached by lanyard or rope to access trolley. Working harness or chair must meet CE/ANSI and OSHA support standards.

#### ③ Tool service trolley

Add an optional trolley and coupler to work as your tool service carrier.

### FAQS

#### Q: Is the Harken Industrial Access Rail covered by any industry legislation?

A: Yes. The rails are independently tested and are EN795.2012 Type D compliant, meet ANSI Z359, and are OSHA compliant. The trolleys are independently tested and CE certified under EN795.2012 Type B, meet ANSI Z359, and are OSHA compliant.

#### Q: I already work with a rail system. Do I need additional training to work with the Harken Industrial Access Rail?

A: Skills learned while working with other rail systems are transferable. However, a short training session to become familiar with the Harken Industrial system is required to ensure safe installation and working practice. Harken Industrial offers an approved installer training course; contact your local Harken Industrial office for more information.

#### Q: Can the Harken Industrial Access Rail be fitted retroactively?

A: Yes. The simplicity of the system means it can be installed on existing buildings.

#### Q: What benefits does the Harken Industrial Access Rail system offer me over others?

A: The construction and materials used in the Harken Industrial Access Rail have created a stronger system, with smoother linear motion and precise positioning capabilities. The Access Rail is made of anodized, one-piece aluminum components, ensuring corrosion resistance, low maintenance, and a long working life.

### Access Rail systems by application

Harken Industrial manufactures several rail systems for industrial, architectural and commercial marine applications. The following matrix offers a quick method of selecting a rail type based on the work-at-height application.

Industrial rail type	Fall restraint	Fall arrest	Rope access/suspension	Work positioning	Certifications		Static strength* (kN)	Max span between brackets
					EN 795:2012	CEN/TS 16415:2013		
R27	✓	✓	✓	✓	✓	✓	13	0.2–0.3 depending on configuration
R27LS	✓	✓	✓	✓	✓	✓	22	3 m
R32	✓	✓	✓	✓	✓	✓	22	0.3 m
TR31	✓	✓					12	1.3 m

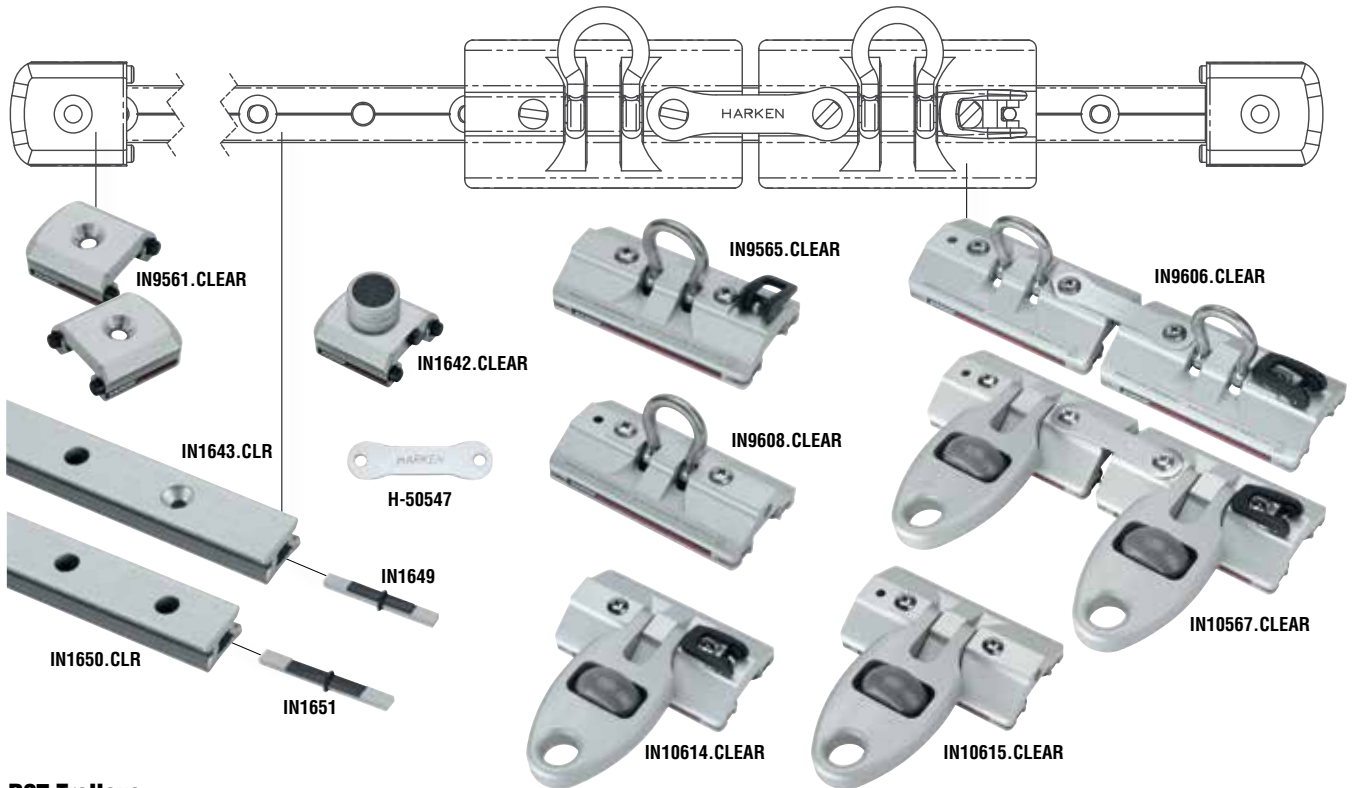
\*Static strength obtained by independent test.

## R27 Components

### SIMPLE TO USE AND IDEAL FOR DIVERSE APPLICATIONS

The 27 mm and 32 mm Access Rail systems have a wide range of applications and can be used in a variety of industries:

- Construction/steel frame and envelope projects
- Renewable energy/blade cleaning
- Facilities management/asset integrity inspections
- Fall arrest/rope access (when two trolleys are used)
- Architectural/building survey
- Vessel maintenance
- Stage management, filming and rigging



### R27 Trolleys

Part No.	Description	Length		Width		Fits rail
		in	mm	in	mm	
IN9606.CLEAR*	2-trolley	10 3/4	273	2 3/4	70	IN1643, IN1650, INR27.LS
IN10567.CLEAR*	2-trolley with wheel toggle	10 3/4	273	5 15/16	150	IN1643, IN1650
IN9565.CLEAR*	Trolley with pinstop	5 3/16	132	2 3/4	70	IN1643, IN1650, INR27.LS
IN9608.CLEAR*	Trolley	5 3/16	132	2 3/4	70	IN1643, IN1650, INR27.LS
IN10614.CLEAR*	Trolley with wheel toggle & pinstop	5 3/16	132	5 15/16	150	IN1643, IN1650
IN10615.CLEAR*	Trolley with wheel toggle	5 3/16	132	5 15/16	150	IN1643, IN1650

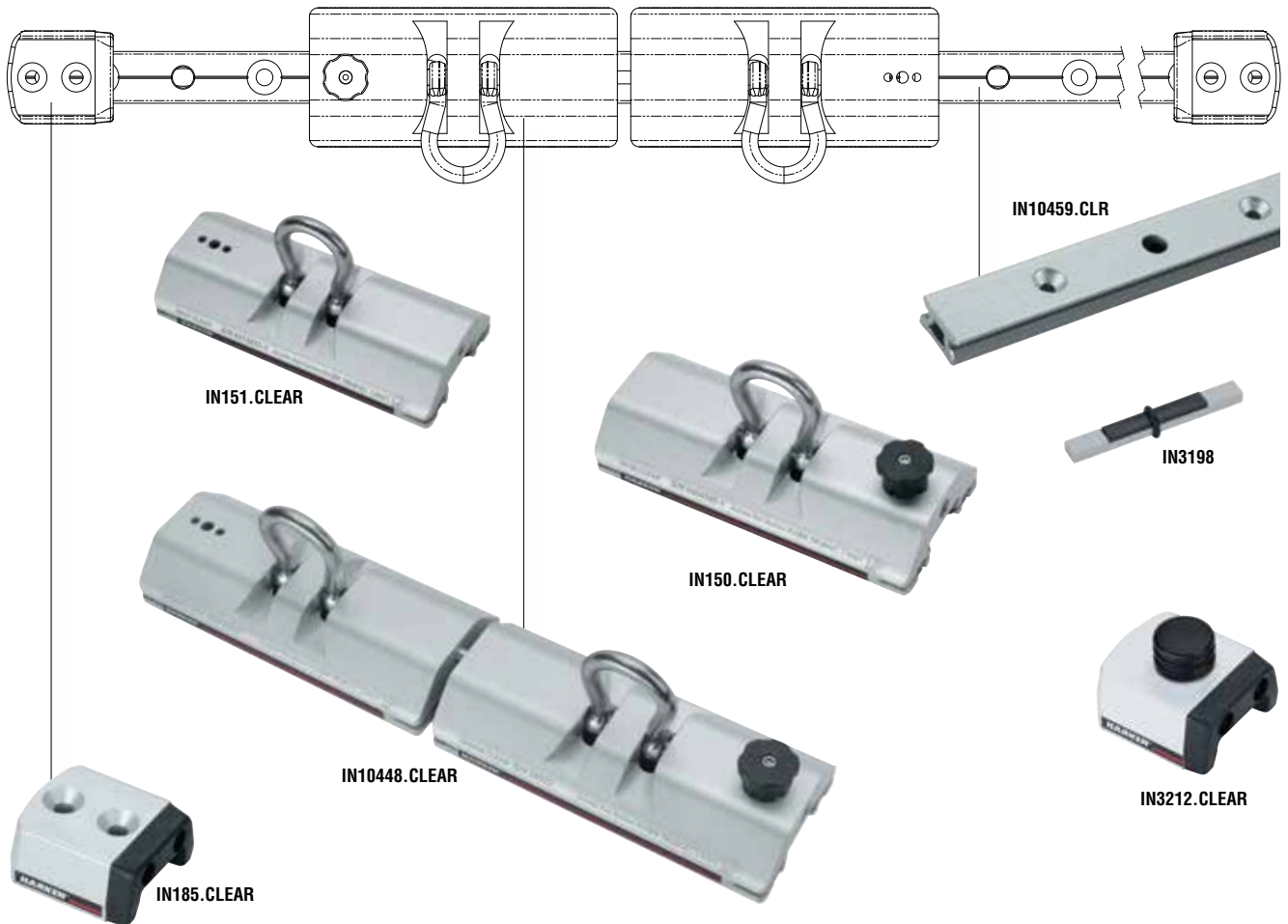
\*To order black hardcoat-anodized, remove .CLEAR from end of part number.

### R27 Rail & Accessories

Part No.	Description	Length		Mounting hole spacing		Fasteners		Endstop	Splice link/rail
		ft/in	m	in	mm	in	mm		
IN1643.3M.CLR*	HL rail pinstop, clear	9' 10 1/16"	3	3 15/16	100	5/16 FH	8 FH	IN1642.CLEAR*, IN9561.CLEAR*	IN1649/—
IN1643.3.6M.CLR*	HL rail pinstop, clear	11' 9 3/4"	3.6	3 15/16	100	5/16 FH	8 FH	IN1642.CLEAR*, IN9561.CLEAR*	IN1649/—
IN1643.6M.CLR*	HL rail pinstop, clear	19' 8 1/4"	6	3 15/16	100	5/16 FH	8 FH	IN1642.CLEAR*, IN9561.CLEAR*	IN1649/—
IN1650.3M.CLR*	Rail for SHCS fasteners, clear	9' 10 1/16"	3	3 15/16	100	5/16 SHCS	8 SHCS	IN1642.CLEAR*, IN9561.CLEAR*	IN1651/—
IN1650.3.6M.CLR*	Rail for SHCS fasteners, clear	11' 9 3/4"	3.6	3 15/16	100	5/16 SHCS	8 SHCS	IN1642.CLEAR*, IN9561.CLEAR*	IN1651/—
IN10630.CLR*	HL rail for 3.04 m, 80 mm hole space	9' 11 11/16"	3.04	3 5/32	80	5/16	8		
IN1642.CLEAR*	Endstop with adjustable pin (sold individually)	2 5/16"	59 mm			5/16 FH	8 FH		—/IN1643
IN9561.CLEAR*	Endstops (sold in pairs)	2 1/4"	57 mm						—/IN1650
IN1649	Splice link								Purchase one splice link for each rail joint —/IN1643
IN1651	Splice link								Purchase one splice link for each rail joint —/IN1650
H-50547	Coupler plate								Purchase to connect tool trolley to access trolley

Use only endstops listed above. \*To order black hardcoat-anodized, remove .CLEAR or .CLR from end of part number.

## R32 Components



### R32 Trolleys

Part No.	Description	Length		Width		Fits rail
		in	mm	in	mm	
IN150.CLEAR*	Single trolley with pinstop	7 3/8	192	3 11/32	85	IN10459.CLR
IN151.CLEAR*	Single trolley	7 3/8	192	3 11/32	85	IN10459.CLR
IN10448.CLEAR*	2-trolley assembly/coupler	15 3/16	385	3 11/32	85	IN10459.CLR

\*To order black hardcoat-anodized, remove .CLEAR from end of part number.

### R32 Rail & Accessories

Part No.	Description	Length		Mounting hole spacing		Fasteners		Endstop	Splice link
		ft/in	m	in	mm	in	mm		
IN10459.CLR*	Pinstop rail for countersunk fasteners	9' 10 1/16"	3	3 15/16	100	3/8 SHCS	10 SHCS	IN3212, IN185	IN3198
IN3198	Splice link	3"	76 mm	Purchase one splice link for each rail joint.					IN10459
IN3212.CLEAR	Removable endstop	2 9/16"	65 mm	Purchase one endstop for each end of system rail.					
IN185.CLEAR*	32 mm rail endstop	2 9/16"	65 mm	Purchase one endstop for each end of system rail.					

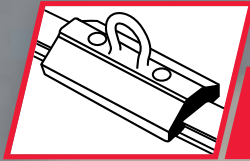
Use only endstops listed above. \*To order black hardcoat-anodized, remove .CLEAR or .CLR from end of part number.



**HARKEN INDUSTRIAL EXCEPTION:** The Access Rail system may be used for human suspension.

**WARNINGS AND INSTRUCTIONS.** You must carefully read, understand, and follow all of the warnings and instructions in the manual provided by Harken Industrial™ in order to avoid an accident. Never, under any circumstances, exceed the maximum rated load.

# LONG-SPAN



## ACCESS RAIL



### Long-span version of classic R27 rail system developed

Long-Span Access Rail (R27LS) was developed as an alternative to its flagship R27 Classic Access Rail system. R27LS has a more robust profile than the classic system, allowing it to handle longer spans without compromising strength. Support brackets are offered in a variety of styles for ease of installation, and for mounting on surfaces of different types and configurations. Engineered for diverse applications, R27LS is used as a horizontal rail system in many fields (industrial, architectural,

civil, etc.) to create a rigid mobile anchor for fall protection and rope access systems. The longer span between brackets reduces installation costs: 3 m (9.84') span for fall protection; as much as 1.5 m (4.90') for human suspension.

Available standard in clear-anodized. A wide range of optional specialty colors are available via request/special order.

Ask your Harken Industrial™ rep for details.



#### Proven trolley assembly

Long-Span Access Rail uses the proven R27 ball bearing trolley assembly for freedom of movement under load.



#### Low-profile aluminum and stainless steel brackets

Low-profile, corrosion-resistant brackets of extruded T6082 anodized-aluminum or sandblasted stainless steel mount on a variety of surfaces.



#### Multiple users

R27LS is certified to support as many as four users on a single span for fall protection and two users for human suspension.



## CE Certified

The Harken Industrial™ 27 mm Long-Span Access Rail system can be used for human suspension. The rails are independently tested, CE compliant under EN795.2012 Type D. The trolleys are independently tested, CE certified under EN795.2012 Type B.

### R27 Long-span Access Rail & Turntables (Product images not to scale)



#### Trolleys

Part No.	Description	Length		Width		Fits rail
		in	mm	in	mm	
IN158.CLEAR*	2-trolley without pinstop**	10 3/4	273	2 3/4	70	IN1643, IN1650, INR27.LS
IN9606.CLEAR*	2-trolley**	10 3/4	273	2 3/4	70	IN1643, IN1650, INR27.LS
IN9608.CLEAR*	Trolley	5 3/16	132	2 3/4	70	IN1643, IN1650, INR27.LS
IN9565.CLEAR*	Trolley with pinstop	5 3/16	132	2 3/4	70	IN1643, IN1650, INR27.LS

\*To order black hardcoat-anodized, remove .CLEAR from end of part number. \*\* IN158 and IN9606 trolleys do not work with turntables.

#### Rail

Part No.	Description	Material	Length		Weight kg/m
			ft/in	m	
INR27.LS	Long-span rail, clear*	Anodized aluminum	9' 10 1/16"	3	1.7

\*Available standard in clear-anodized. A wide range of optional specialty colors are available via request/special order. Ask your Harken Industrial rep for details.



#### Mounting Accessories

Part No.	Description	Material	Fasteners		Includes
			in	mm	
INBRKT.1	Bracket "Q"*	Stainless steel	3/8 - 7/16	M10 - M12	1 bracket, 1 double-hole insert, 2 screws, 2 washers
INBRKT.2	Bracket "S"*	Stainless steel	3/8 - 7/16	M10 - M12	1 bracket, 1 single-hole insert, 1 screw, 1 washer
INBRKT.3	Bracket "L"*	Stainless steel	3/8 - 7/16	M10 - M12	1 bracket, 1 single-hole insert, 1 screw, 1 washer
INBRKT.4	Bracket "C"*	Stainless steel	3/8 - 7/16	M10 - M12	1 bracket, 1 single-hole insert, 1 screw, 1 washer
INLINK.LS	Structural connector	Stainless steel			1 complete connector, 2 INPIN.LS
INBRKT.AL	Low-profile bracket	Anodized aluminum	3/8 - 7/16	M10 - M12	1 bracket, 2 stud screws
INLINK.AL	Low-profile connector	Anodized aluminum	3/8 - 7/16	M10 - M12	1 connector, 10 stud screws, 2 INPIN.LS
INSTOP.LS	Fixed endstop	Stainless steel	3/8 - 7/16	M10 - M12	1 endstop, 2 M6 self-threading screws
IN1642.CLEAR**‡	Endstop with adjustable pin (sold individually)				
INPIN.LS	Alignment pin	Stainless steel			1 pin (order 2 INPIN.LS for each rail section)
H-50547	Coupler plate				

\*Mounting bracket centers: Fall Arrest: 3 meters (10'); Rope Access/Suspension: 1.5 meters (5').

\*\*To mount this endstop, drill and tap a 10 mm hole on the rail.

‡To order black hardcoat-anodized, remove .CLEAR from end of part number.



**HARKEN INDUSTRIAL EXCEPTION: The Access Rail system may be used for human suspension.**

**WARNINGS AND INSTRUCTIONS.** You must carefully read, understand, and follow all of the warnings and instructions in the manual provided by Harken Industrial in order to avoid an accident. Never, under any circumstances, exceed the maximum working load.

## R27 Long-span Access Rail Turntables

### Turntables

Turntables allow users to easily change trolley directions without disconnecting from the rail system. INTURN1.LS allows 90° directional changes. INTURN2.LS is designed for 'T' rail layouts and 180° or 90° directional changes. Both options are independently tested and compliant with EN795 – 2012 Class D.



Part No.	Description	Material	Mounting accessories	Includes
INTURN1.LS	Turntable "L"	Aluminum/stainless steel	All R27 LS brackets	4 INPIN.LS
INTURN2.LS	Turntable "T"	Aluminum/stainless steel	All R27 LS brackets	6 INPIN.LS

Double trolleys (IN9606.CLEAR) cannot be used with the turntable. Two single trolleys must be used.



**HARKEN INDUSTRIAL™ EXCEPTION:** The Access Rail system may be used for human suspension.

**WARNINGS AND INSTRUCTIONS.** You must carefully read, understand, and follow all of the warnings and instructions in the manual provided by Harken Industrial in order to avoid an accident. Never, under any circumstances, exceed the maximum working load.

### REGIONAL SALES AND OPERATIONS

#### USA

Harken USA - Corporate  
Headquarters  
Pewaukee, Wisconsin  
+1 262 691 3320  
infoUSA@harkenindustrial.com

#### UK

Harken UK Ltd.  
Lymington, Hampshire  
+44 01590 689122  
info@harkenindustrial.com

#### ITALY

Harken Italy S.p.A  
Limido Comasco (CO), Italy  
+39 031 3523511  
industrial@harken.it

### HARKEN INDUSTRIAL-OWNED DISTRIBUTORS

#### AUSTRALIA

Harken Australia Pty, Ltd.  
+61 2 8978 8666  
info@harken.com.au

#### FRANCE

Harken France  
+33 5 46 44 51 20  
pierre@harken.fr

#### NEW ZEALAND

Harken New Zealand Ltd  
+69 9 303 3744  
info@harken.co.nz

#### POLAND

Harken Polska Sp. z o.o.  
+48 22 561 93 93  
polska@harken.pl

#### SWEDEN

Harken Sweden AB  
+46 8 222200  
harken@harken.se

### HARKEN Industrial-OWNED TRAINING RESOURCES

#### ELEVATED SAFETY

4044 N Lincoln Ave, Suite 301  
Chicago, IL 60618  
+1 866 819 2194  
info@elevatedsafety.com



For an up-to-date listing of independent Harken Industrial Distributors, Dealers and Certified Installers, please visit [harkenindustrial.com](http://harkenindustrial.com).